



Project: _____
 Location: _____
 Item #: _____
 Quantity: _____

Warming Cabinets

HS MODELS —

Stainless steel exterior and interior.

HS-1D-S7
HS-2D-S7

HSA MODELS —

Stainless steel exterior.
 Aluminum interior.

HSA-1D-S7
HSA-2D-S7

HA MODELS —

Stainless steel fronts and doors. Aluminum sides and interior.

HA-1D-S7
HA-2D-S7

Half Door and Pass-Thru Models Available



HSA-2D-S7

HS and HSA Models

- Digital Thermometer/Battery Back-up
- Adjustable Stainless Steel Legs

HA Models

- Dial Thermometer
- Adjustable Legs

Standard Features (all models)

- Adjustable Thermostat
- Stainless Steel Case Front and Door(s)
- Lifetime Heavy Duty Cam Lift Hinges
- Adjustable Wire Shelves
- Lifetime Safety Grip Handle(s)
- Self-Closing Doors with Safety Stops
- Door Opening Accepts 12" x20" and 18" x 26" Pans
- Heavy-Duty Cylinder Locks
- Humidity Vent(s) Manually Operated
- One Piece Self-Adjusting Magnetic Door Gaskets
- Stainless Steel Door Liner

Optional Features and Accessories

- Dial or Digital Thermometer
- Two Half Doors in Place of One Full Length Door
- Full and Half Size Hinged Glass Doors with Cylinder Locks
- Change Door Swing
- Adjustable Stainless Steel Wire Shelves
- Stainless Steel Angle Pan Slides
- Zinc Plated Wire Pan Slides
- 5" Diameter Heavy-Duty Swivel Casters with Brakes
- Stainless Steel Case Back
- Flush Mounted Interior Lighting

Cabinet:

The cabinet front and doors are constructed of heavy gauge polished stainless steel to maintain an attractive appearance for years of heavy use. Foamed-in-place polyurethane insulation throughout the cabinet and doors ensures the ultimate in energy efficiency. An operational indicator panel contains a thermometer and adjustable thermostat control which is accurately calibrated from 80°F. to 180°F.

Doors:

The self-closing doors are securely mounted on rugged cam-lift hinges, which have a lifetime guarantee. Each door has a heavy-duty cylinder lock and self-adjusting magnetic gasket. The full perimeter of the door opening has a stainless steel door jamb. The interior door liner is constructed of heavy gauge stainless steel. Each safety grip handle is guaranteed for life.

Shelving:

The heavy-duty wire shelves are adjustable in one-inch increments. A wide door opening allows the use of a variety of optional pan slide types for 12"x20", 18"x26", and 14"x18" pans and trays.

Heating System:

Strip type 750-watt heating elements, operating on 208-240/60/1, having a total of 1500 watts per compartment. An externally mounted blower system maintains even temperature throughout the food zone area. Manually controlled humidity vents are provided in the top of the cabinet.

Approvals:



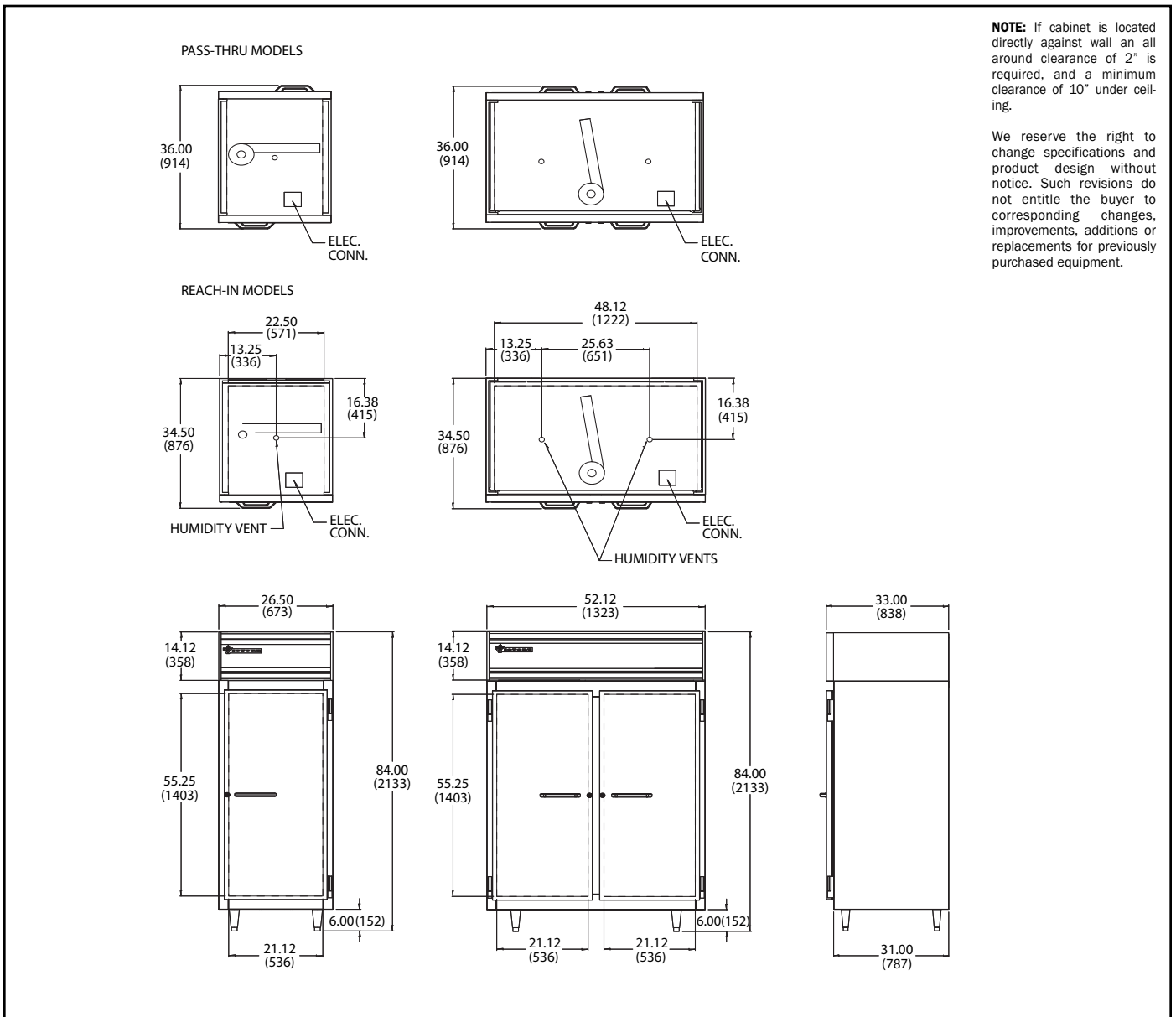
Victory Refrigeration specification sheets are available online at www.victory-refrig.com.

CHARACTERISTICS	ONE SECTION		TWO SECTION	
	Reach-In	Pass-Thru	Reach-In	Pass-Thru
Width, Overall	26 1/2	26 1/2	52 1/2	52 1/2
Depth, Overall (incl. handles)	34 1/2	36	34 1/2	36
Height, Overall (incl. adj. legs)	84	84	84	84
Depth, Doors Open 90°	58 1/2	84 5/8	65 1/4	98 1/8
Clear Door Width	21 1/8	21 1/8	21 1/8	21 1/8
Clear Full Door Height	55 1/4	55 1/4	55 1/4	55 1/4
Clear Half Door Height	25 3/8	25 3/8	25 3/8	25 3/8
Capacity Net (cubic feet)	21.5	23.7	46.5	48.0
No. of Full Doors	1	2	2	4
No. of Half Doors	2	4	4	8
No. of Shelves	3	3	6	6
Shelf Area (square feet)	17.1	17.1	36.0	36.0
Cabinet Voltage	208-240/60/1	208-240/60/1	208-240/60/1	208-240/60/1
Max. Fuse Size T.D.	15 Amps	15 Amps	20 Amps	20 Amps
Feed Wires	2	2	2	2
Heater Watts per Section (@240V)	1500	1500	1500	1500
Total Wattage (Heaters & Fan @240V)	1500	1500	3000	3000
Total Amperes	6.3	6.3	13.0	13.0

Crated dim. & wts.	Ht.	Width	Depth	Cu.Ft.	S	SA	A
One Section	84	36 1/2	43	82.2	330	325	310
Two Section	84	63	43	143.3	560	550	540

Approximate Pass-Thru weights, add 15%

Dimensional tolerance ± 1/4" Metric dimensions (MM)



Continuous product development may necessitate specification changes and design without notice.



Victory participates in the KCL CADalog, the most current source of CAD symbols for foodservice designers worldwide. Symbols include standard equipment in plan, side, front and 3-D views, layered for FEDAY/FCSI recommended guidelines.